

TF Series

Gear Unit Specifications

Input power rating and maximum torque

Size	38	48	58	68	78	88	98	108	128	158
Structure	TF TFA TFF TFAF TFAZ									
Input power rating (kW)	0.18-3	0.18-3	0.18-5.5	0.18-5.5	0.37-11	0.75-22	1.1-30	2.2-45	7.5-90	11-200
Ratio	3.81-128.51	5.06-189.39	5.18-199.70	4.21-228.99	4.20-271.92	4.12-270.68	4.68-276.64	6.20-255.25	4.63-172.33	12.07-270.18
Maximum torque	200	400	600	820	1500	3000	4300	7840	12000	18000

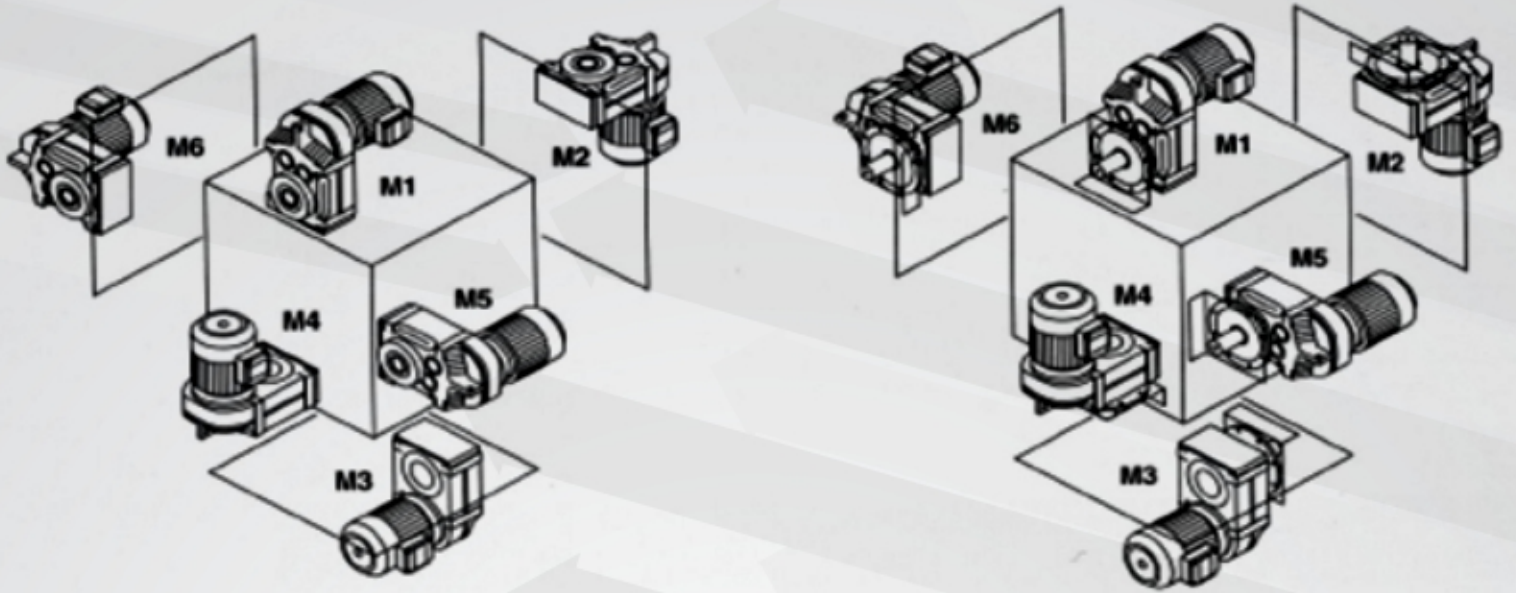
Gear unit weight

Size	38	48	58	68	78	88	98	108	128	158
Weight	13	18	34	55	90	150	260	402	700	950

PRASHANT GEARS : B - 305, Solitaire, Nr. Divya Bhaskar Press, S.G.Highway, Ahmedabad - 380051. Gujarat, India.

M: +91 96876 10381/+91 99099 10387/+91 94260 11198 T: +91 79 2970 1965
E: sales@prashantgears.co.in W: www.prashantgears.co.in

Mounting position :



Position of the motor thermal box



I



II



III



IV



PRASHANT GEARS : B - 305, Solitaire, Nr. Divya Bhaskar Press, S.G.Highway, Ahmedabad - 380051. Gujarat, India.

M: +91 96876 10381/+91 99099 10387/+91 94260 11198 T: +91 79 2970 1965
E: sales@prashantgears.co.in W: www.prashantgears.co.in